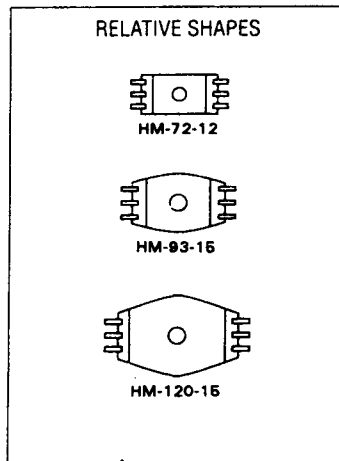


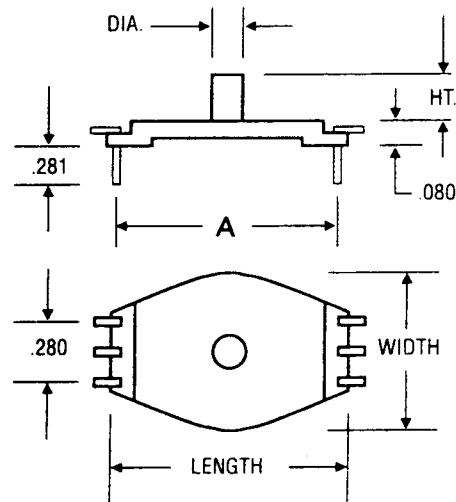
HORIZONTAL MOUNT FOR TOROID

The HM horizontal mounts for toroids are made of Nylon 6/6 material and rated at UL94-V0. It has 6 brass terminals. Each terminal is tin plated. These mounts are used for low profile horizontal mounting of wound toroids with outside diameter (OD) of 0.4" to 1.0".

Solderability: MIL-STD-202, Method 208
 Terminals: 0.025" x 0.01", 60/40 tin plated



Not to scale
 ±.010 inches



(All Dimensions are in inches)

Part No.	Length	Width	Ht.	Dia.	A	Toroidal Core Size
HM-72-12	.720	.460	.163	.120	.638	O.D. up to 0.5"
HM-72-00	.720	.460	.000	.000	.638	FT-23, FT-50 T-25 → T-50
HM-93-00	.937	.600	.000	.000	.848	O.D. up to 0.825"
HM-93-15	.937	.600	.250	.156	.848	FT-82, T-68, T-80
HM-120-00	1.208	.850	.000	.000	1.130	O.D. up to 1.0"
HM-120-15	1.208	.850	.250	.156	1.130	FT-82, T-68, T-80