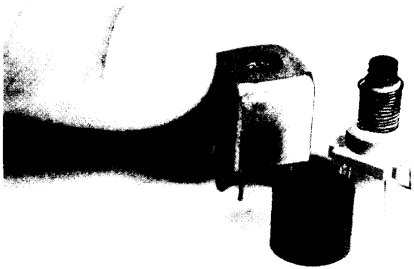


IRON POWDER SHIELDED COIL FORMS

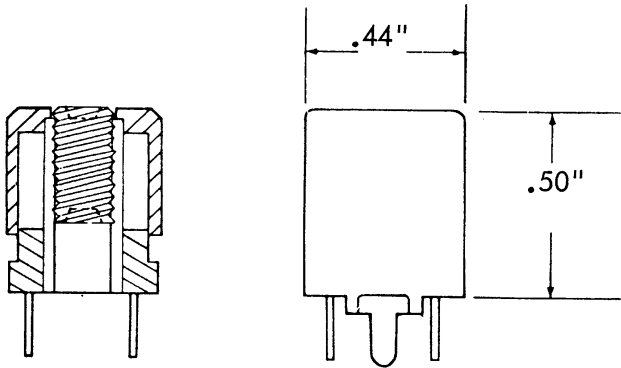
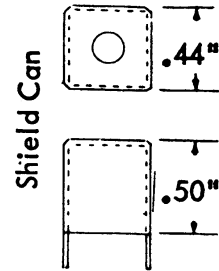
Adjustable / Slug Tuned

L-43 Coil Forms (Specify material)

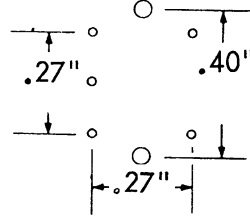


Miniature in size
 Slug tuning
 Copper shield can, tin plated
 Easy to wind
 Good Q
 Frequency range .2 to 200 MHz.
 Inductance range .02 to 700 uH.

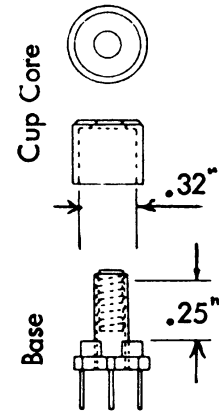
L-43



L-43



pin spacing



Part number	Frequency range (MHz)	A_L ($\mu\text{H}/100$ t) at max L	L ratio max to min	Typical Winding (mid-freq.)			
				Wire	Turns	L (μH)	Q max
L-43-1	0.30 - 1.0	115	1.6 - 1	3/44	75	42.50	80
L-43-2	1.00 - 10.0	98	1.6 - 1	9/44	21	4.00	120
L-43-3	0.01 - 0.5	133	1.8 - 1	3/44	223	600.00	90
L-43-6	10.00 - 50.0	85	1.4 - 1	26	6	0.30	30
L-43-10	25.00 - 100.0	72	1.3 - 1	24	5	0.14	150
L-43-17	50.00 - 200.0	56	1.2 - 1	22	3	0.05	200

Solid magnet wire may be substituted for the Litz wire, but somewhat lower Q may result.

Most efficient when tuning slug is set at maximum L.
 For Tuning flexibility calculate so that slug will be about 90% maximum L when at operating frequency.

$$\text{Turns} = 100 \sqrt{\frac{\text{desired 'L' } (\mu\text{H})}{90\% A_L (\mu\text{H}/100 \text{ turns})}}$$